

# NEWMEN FADE 28h front hub spare parts

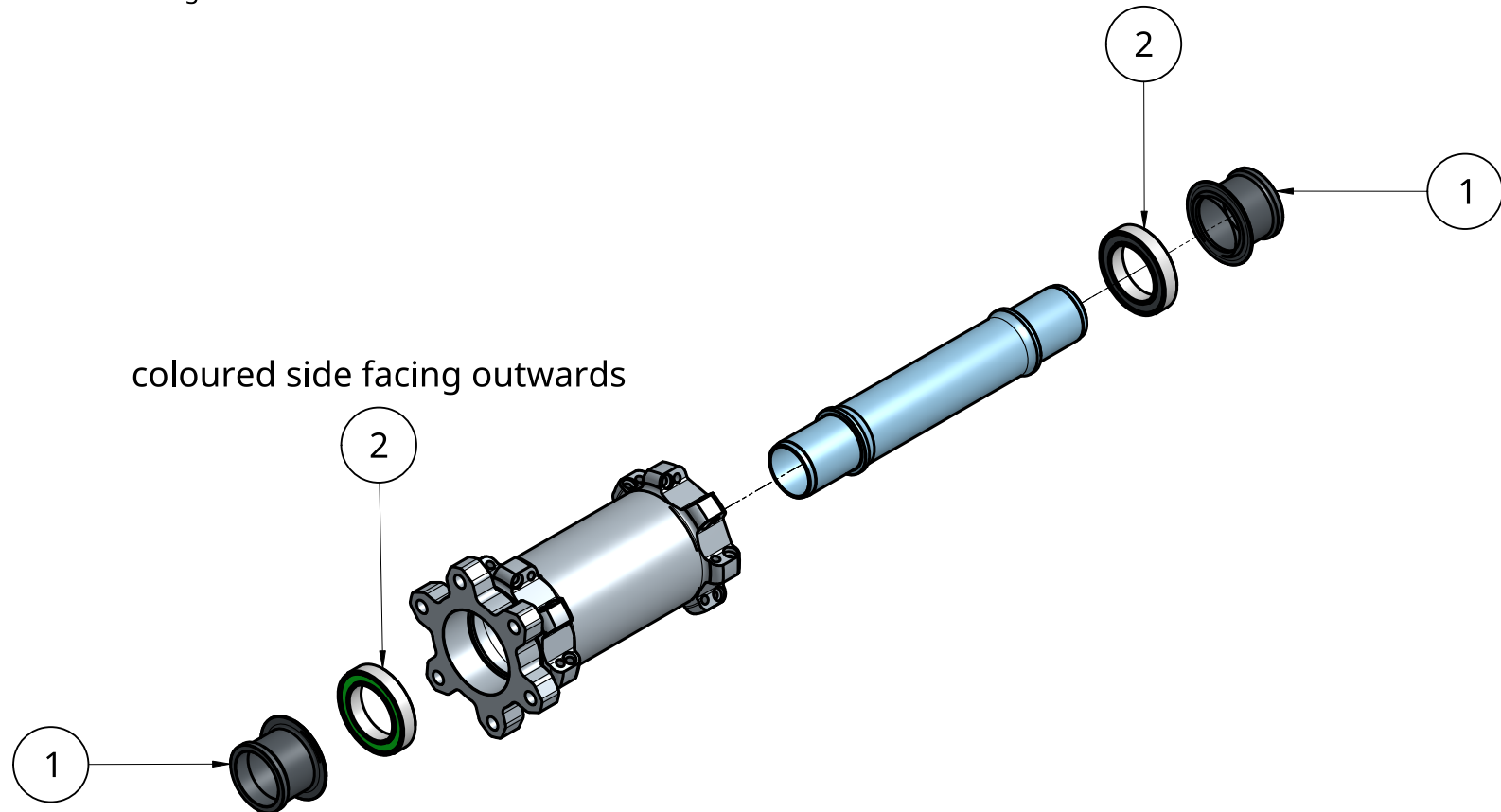
**Recommended tools for hub service:**  
 90166 - NEWMEN Endcap Removal Tool 2  
 90153 - NEWMEN Hub Tooling Set V2

POS	ITEM	Description
1	90723	NEWMEN Fade MTB Endcap Set 15 mm
2	90178	BB_CB_17x26x5_CN_LULH

spare parts are suited for 28h Centerlock and 6Bolt front hubs with laser logo:



coloured side facing outwards



<b>NEWMEN</b>		MG-Components GmbH & Co. KG Am Mühlbach 5c 87487 Wiggensbach Germany	
DO NOT SCALE DRAWING	SIZE: A4	SCALE: 1:2	SHEET 1 of 4
Alle Informationen unter Vorbehalt. Wir behalten uns Änderungen vor All information subject to change. We reserve the right to make changes			drawing date: 2024-07-31

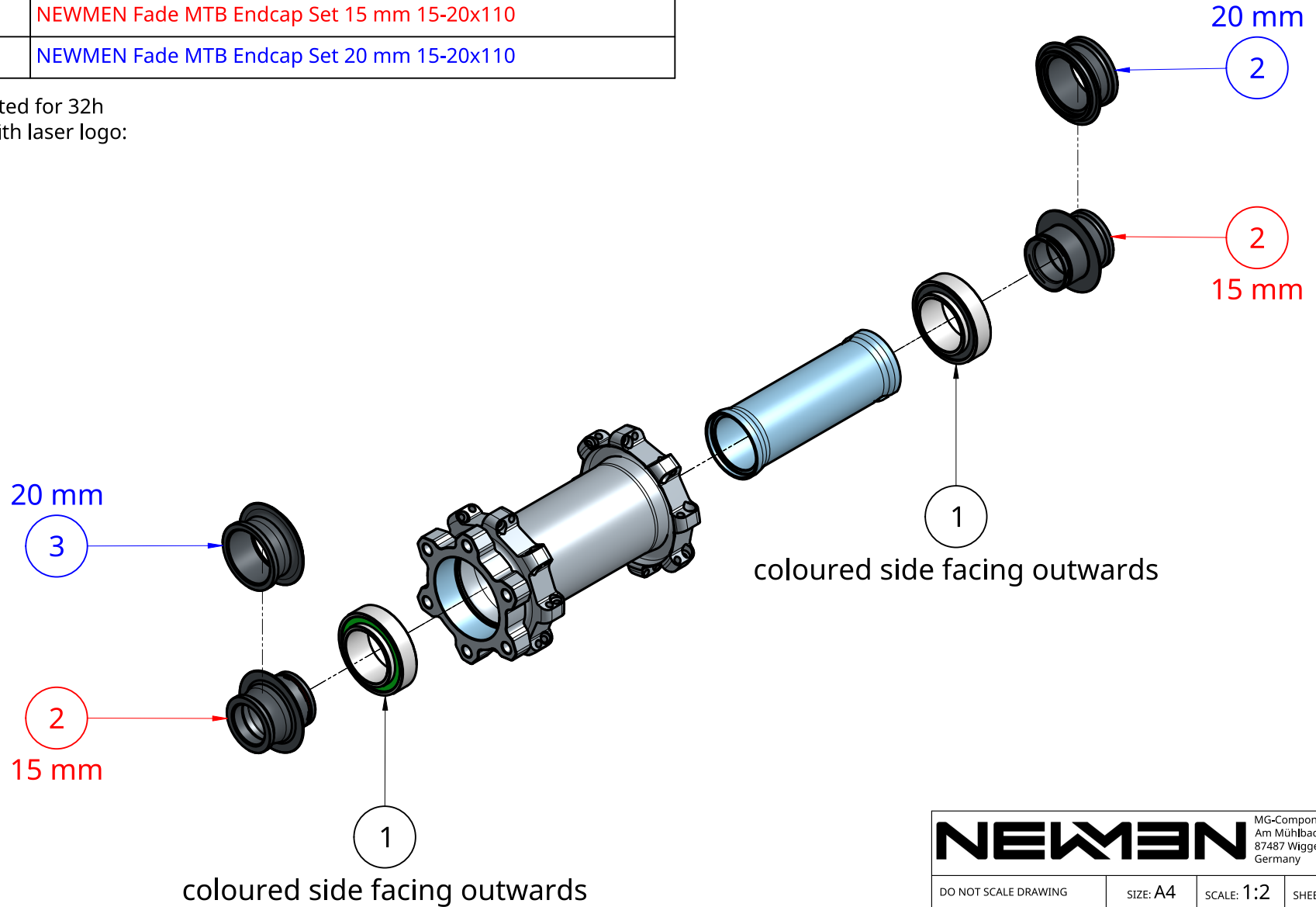
Weitergabe sowie Vervielfältigung dieses Dokuments, Verwertung und Mitteilung seines Inhalts sind verboten, soweit nicht ausdrücklich gestattet. Zuwiderhandlungen verpflichten zu Schadensersatz. Alle Rechte für den Fall der Patent-, Gebrauchsmuster- oder Geschmacksmustereintragung vorbehalten.  
The copying, distribution and utilization of this document as well as the communication of its contents to others without expressed authorization is prohibited. Offenders will be held liable for the payment of damages. All rights reserved, in particular the right to carry out patent, utility or ornamental design registration.

# NEWMEN FADE 32h front hub spare parts

POS	ITEM	Description
1	90743	NEWMEN Bearing BB CB 20x31x7 CN LHLU
2	90722	NEWMEN Fade MTB Endcap Set 15 mm 15-20x110
3	90721	NEWMEN Fade MTB Endcap Set 20 mm 15-20x110

**Recommended tools for hub service:**  
 90166 - NEWMEN Endcap Removal Tool 2  
 90963 - NEWMEN Hub Tool 15-20x110 front hub

spare parts are suited for 32h  
 6Bolt front hubs with laser logo:



<b>NEWMEN</b>		MG-Components GmbH & Co. KG Am Mühlbach 5c 87487 Wiggensbach Germany	
DO NOT SCALE DRAWING	SIZE: A4	SCALE: 1:2	SHEET 2 of 4
Alle Informationen unter Vorbehalt. Wir behalten uns Änderungen vor All information subject to change. We reserve the right to make changes			drawing date: 2024-07-31

Weitergabe sowie Vervielfältigung dieses Dokuments, Verwertung und Mitteilung seines Inhalts sind verboten, soweit nicht ausdrücklich gestattet. Zuwiderhandlungen verpflichten zu Schadensersatz. Alle Rechte für den Fall der Patent-, Gebrauchsmuster- oder Geschmacksmusterregistrations vorbehalten. The copying, distribution and utilization of this document as well as the communication of its contents to others without expressed authorization is prohibited. Offenders will be held liable for the payment of damages. All rights reserved, in particular the right to carry out patent, utility or ornamental design registration.

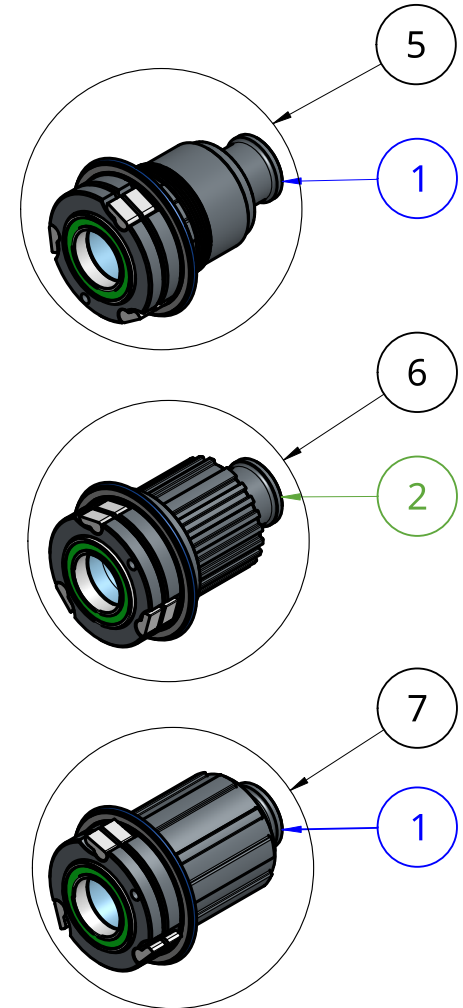
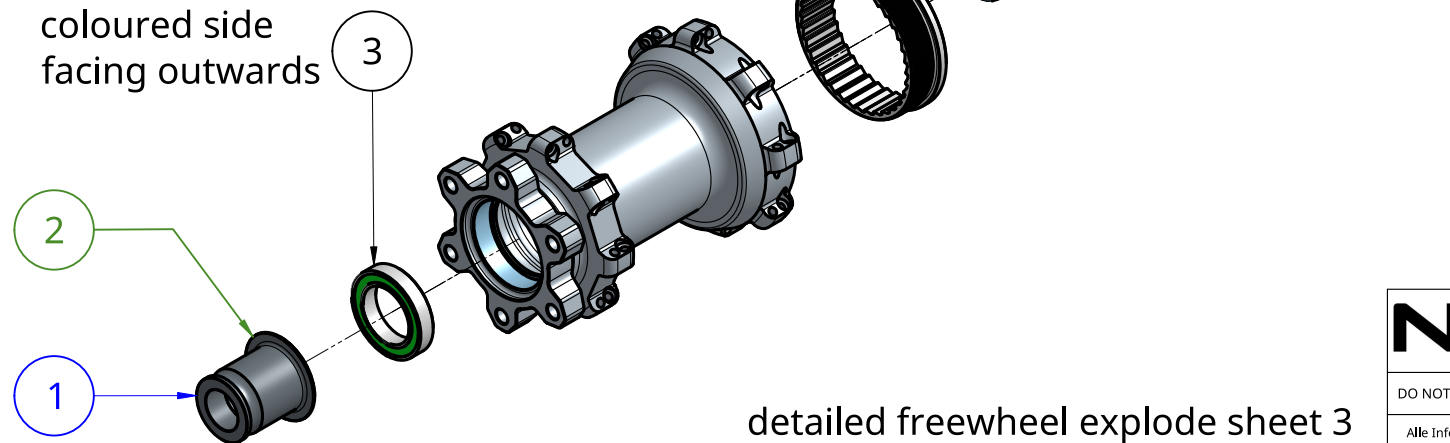
## NEWMEN FADE 28h & 32h rear hub spare parts

POS	ITEM	Description
1	90718	NEWMEN Endcap Set 12 mm
2	90717	NEWMEN Fade MTB Endcap Set 12 mm MS
3	90178	BB_CB_17x26x5_CN_LULH
4	90180	BB_CB_17x30x7_CN_LULH
5	90715	NEWMEN Fade MTB Freewheel Set XD
6	90714	NEWMEN Fade MTB Freewheel Set SH
7	90713	NEWMEN Fade MTB Freewheel Set MS

spare parts are suited for Centerlock and 6Bolt rear hubs with laser logo:

# FADE

**Recommended tools for hub service:**  
 90166 - NEWMEN Endcap Removal Tool 2  
 90153 - NEWMEN Hub Tooling Set V2



detailed freewheel explode sheet 3

<b>NEWMEN</b>		MG-Components GmbH & Co. KG Am Mühlbach 5c 87487 Wiggensbach Germany	
DO NOT SCALE DRAWING	SIZE: A4	SCALE: 1:2	SHEET 3 of 4
Alle Informationen unter Vorbehalt. Wir behalten uns Änderungen vor All information subject to change. We reserve the right to make changes			drawing date: 2024-07-31

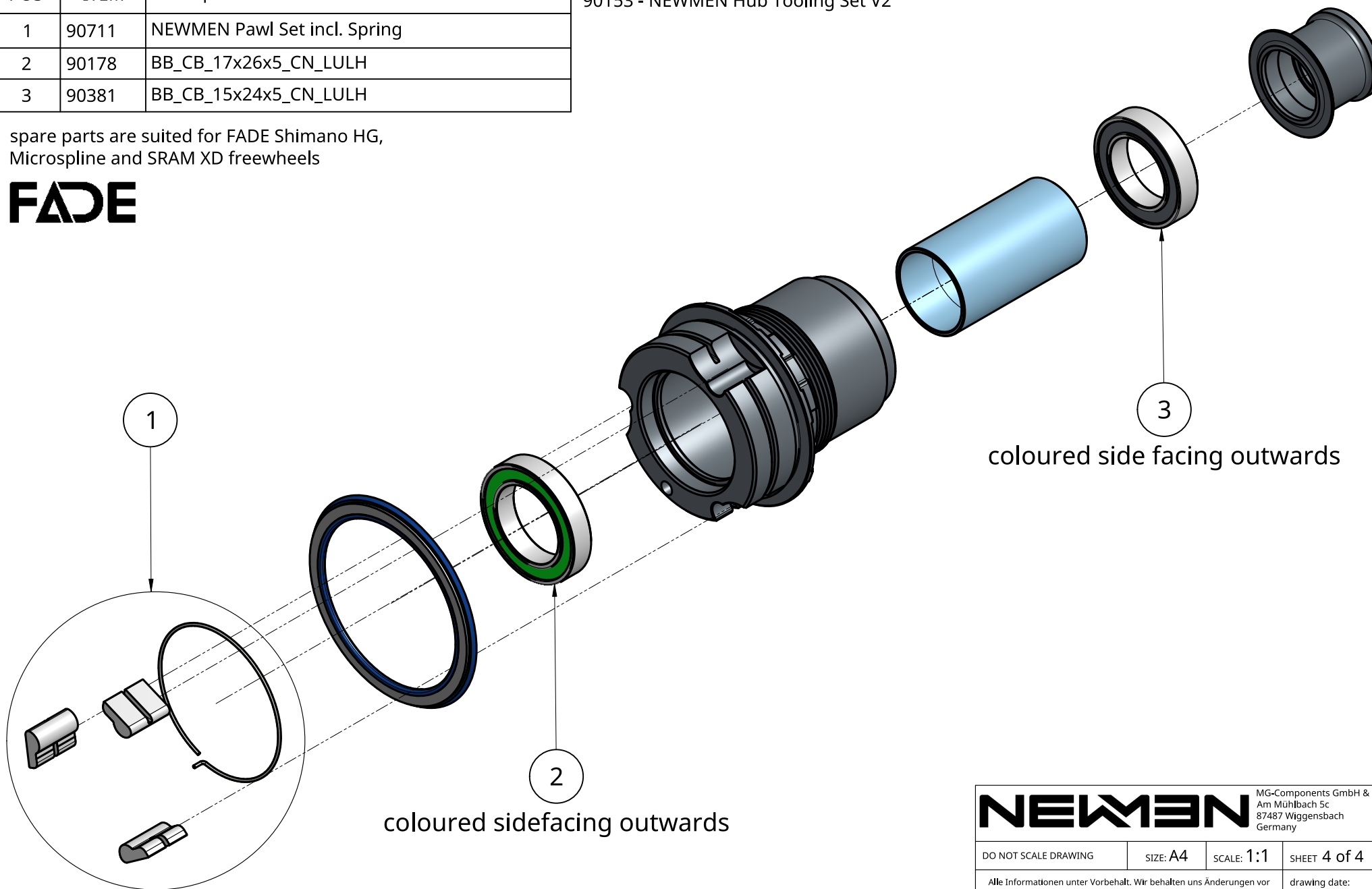
## NEWMEN freewheel FADE spare parts

POS	ITEM	Description
1	90711	NEWMEN Pawl Set incl. Spring
2	90178	BB_CB_17x26x5_CN_LULH
3	90381	BB_CB_15x24x5_CN_LULH

Recommended tools for hub service:  
 90166 - NEWMEN Endcap Removal Tool 2  
 90153 - NEWMEN Hub Tooling Set V2

spare parts are suited for FADE Shimano HG,  
 Microspline and SRAM XD freewheels

# FADE



<b>NEWMEN</b>		MG-Components GmbH & Co. KG Am Mühlbach 5c 87487 Wiggensbach Germany	
DO NOT SCALE DRAWING	SIZE: A4	SCALE: 1:1	SHEET 4 of 4
Alle Informationen unter Vorbehalt. Wir behalten uns Änderungen vor All information subject to change. We reserve the right to make changes		drawing date: 2024-07-31	